

### GTWY9.5-2100

Self-propelled Vertical Lifts

## SPECIFICATIONS

| Size  | Metric      | British         |
|---|-------------|-----------------|
| Max. Working Height <b>A</b>                          | 9.50m       | 31ft 2in        |
| Max. Platform Height <b>B</b>                         | 7.50m       | 24ft 7in        |
| Overall Length(Stowed) <b>C</b>                       | 1.56m       | 5ft 1in         |
| Overall Width(Stowed) <b>D</b>                        | 0.82m       | 2ft 8in         |
| Overall Height(Stowed) <b>E</b>                       | 1.99m       | 6ft 6in         |
| Outrigger Footprint(Length <b>F</b> ×Width <b>G</b> ) | 1.76m/1.66m | 5ft 9in/5ft 5in |
| Platform Size(Length <b>H</b> ×Width <b>I</b> )       | 1.27m×0.65m | 4ft 2in×2ft 2in |
| Ground Clearance                                      | 0.055m      | 2in             |
| BackSize  | 0.18m       | 7in             |
| FrontSize   | 0.18m       | 7in             |

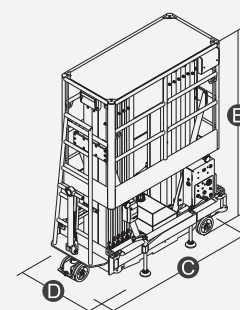
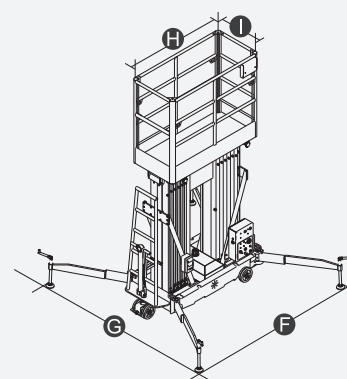
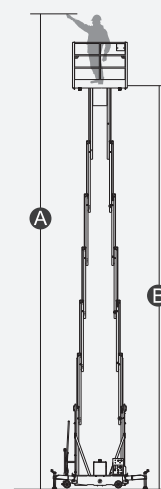
| Performance    |          |          |
|----------------|----------|----------|
| S.W.L          | 300kg    | 661lb    |
| Max. Occupants | 2        | 2        |
| Up/Down Speed  | 55/38sec | 55/38sec |

| Weight      |       |        |
|-------------|-------|--------|
| Weight - AC | 630kg | 1388lb |
| Weight - DC | 690kg | 1521lb |

| Power              |              |              |
|--------------------|--------------|--------------|
| Battery            | 2×12V/85Ah   | 2×12V/85Ah   |
| Charger            | 12V/15A      | 12V/15A      |
| Lifting Motor - AC | 220VAC/1.5kW | 220VAC/1.5kW |
| Lifting Motor - DC | 12VDC/2.5kW  | 12VDC/2.5kW  |



ELECTRIC



## GTWY9.5-2100

Self-propelled Vertical Lifts

### FEATURES

#### Standard Items

- Self-Locking Gates
- Emergency Descent System
- Tubing Explosion-Proof System
- Motion Alarm
- Charging Indicator(DC type)
- Charging Protection System(DC type)
- Flashing Beacon
- Lanyard Attachment Point
- Tie-Down And Lifting Points
- Emergency Stop Button

