

GTWY12.5-2100

Self-propelled Vertical Lifts

SPECIFICATIONS

Size	Metric	British
Max. Working Height A	12.50m	41ft
Max. Platform Height B	10.50m	34ft 5in
Overall Length(Stowed) C	1.70m	5ft 7in
Overall Width(Stowed) D	0.82m	2ft 8in
Overall Height(Stowed) E	1.99m	6ft 6in
Outrigger Footprint(Length F × Width G)	2.31m/2.39m	7ft 7in/7ft 10in
Platform Size(Length H × Width I)	1.40m × 0.65m	4ft 7in × 2ft 2in
Ground Clearance	0.055m	2in
BackSize	0.18m	7in
FrontSize	0.18m	7in

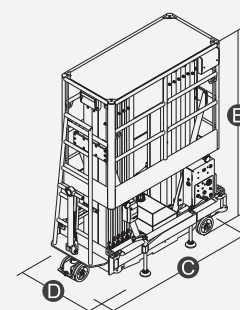
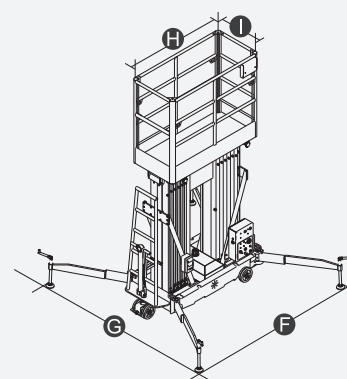
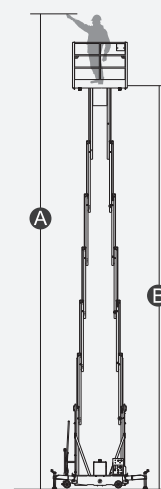
Performance		
S.W.L	250kg	551lb
Max. Occupants	2	2
Up/Down Speed	62/42sec	62/42sec

Weight		
Weight - AC	820kg	1807lb
Weight - DC	880kg	1940lb

Power		
Battery	2×12V/85Ah	2×12V/85Ah
Charger	12V/15A	12V/15A
Lifting Motor - AC	220VAC/1.5kW	220VAC/1.5kW
Lifting Motor - DC	12VDC/2.5kW	12VDC/2.5kW



ELECTRIC



GTWY12.5-2100

Self-propelled Vertical Lifts

FEATURES

Standard Items

- Self-Locking Gates
- Emergency Descent System
- Tubing Explosion-Proof System
- Motion Alarm
- Charging Indicator(DC type)
- Charging Protection System(DC type)
- Flashing Beacon
- Lanyard Attachment Point
- Tie-Down And Lifting Points
- Emergency Stop Button

